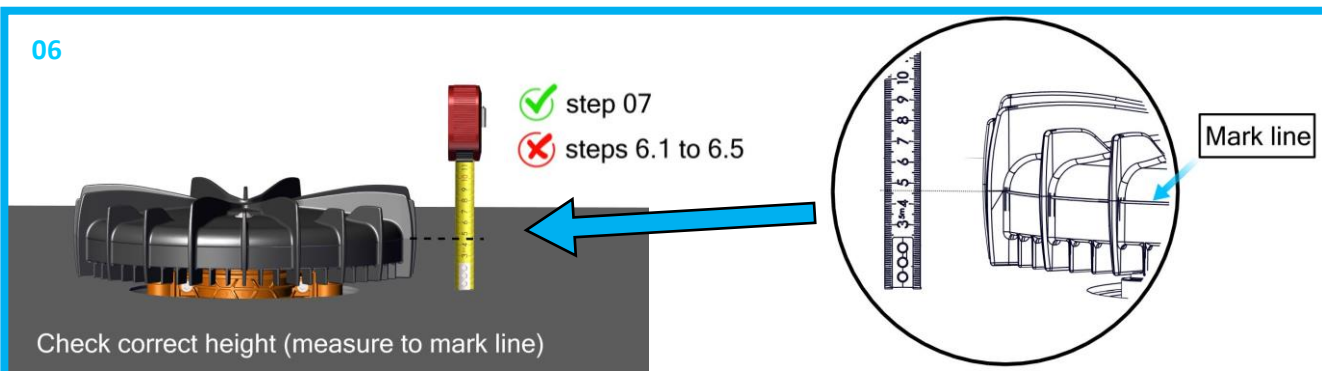
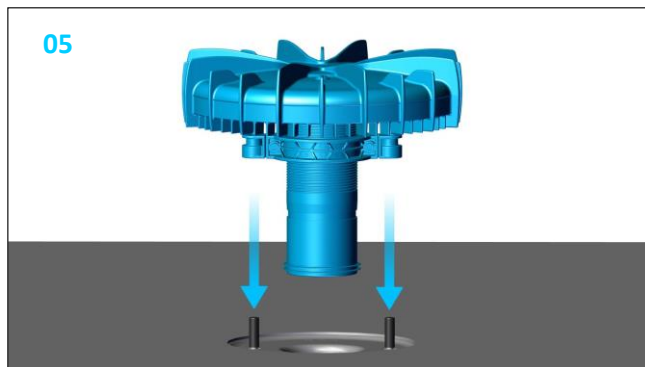
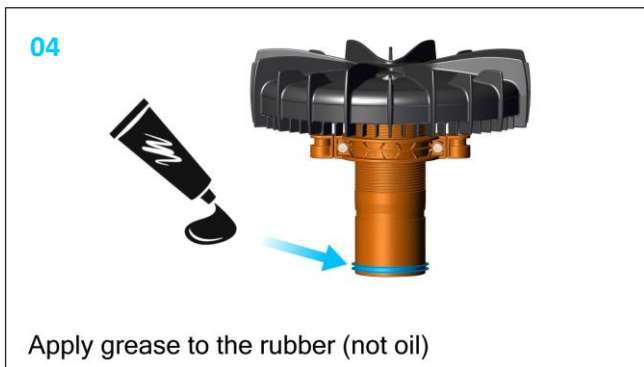
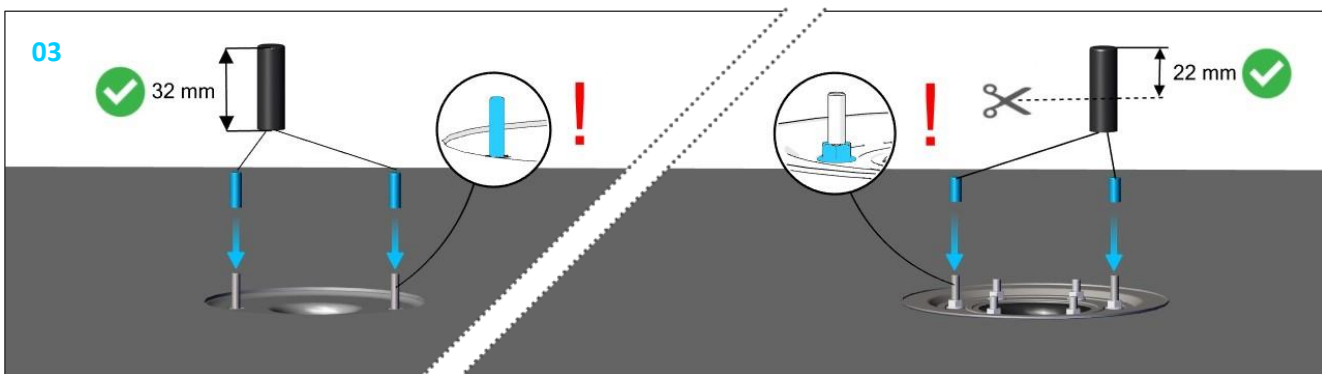
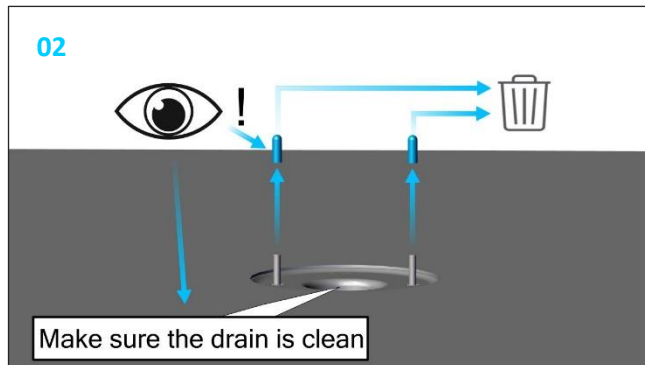


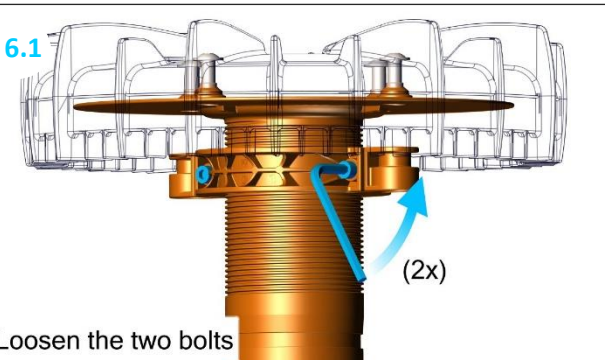
Emergency overflow 90mm Airlock height adjustable

749054



If the height needs to be adjusted

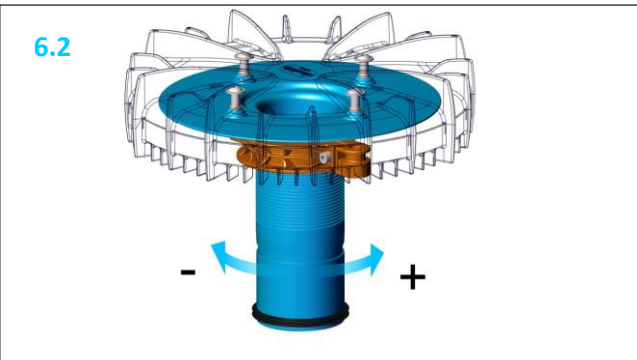
6.1



Loosen the two bolts

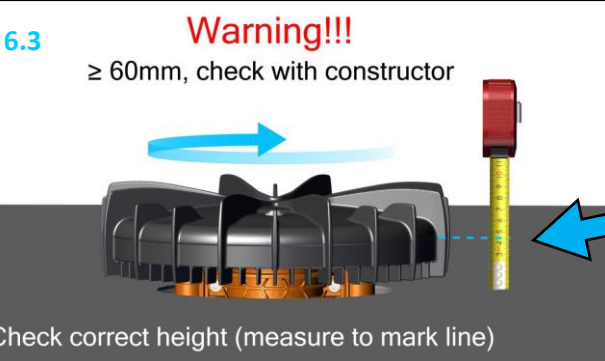
(2x)

6.2



6.3

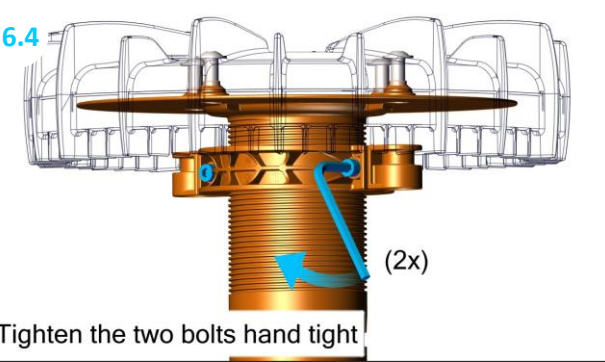
Warning!!!
≥ 60mm, check with constructor



Check correct height (measure to mark line)

Mark line

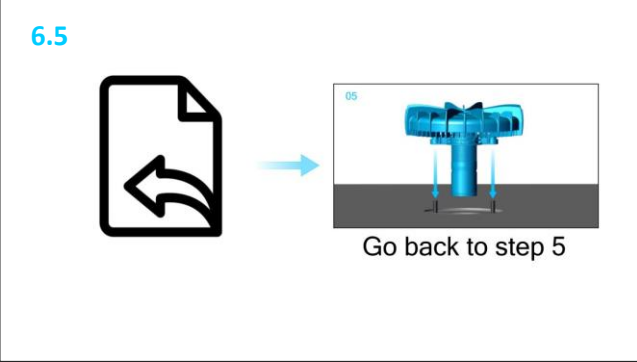
6.4



Tighten the two bolts hand tight

(2x)

6.5



Go back to step 5

