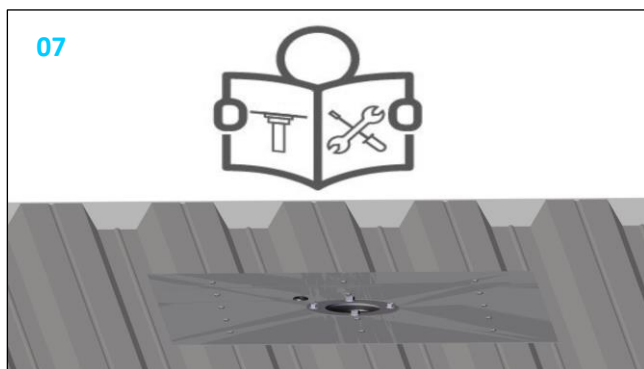
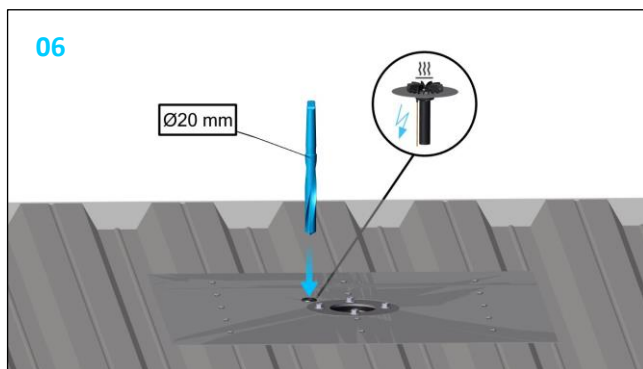
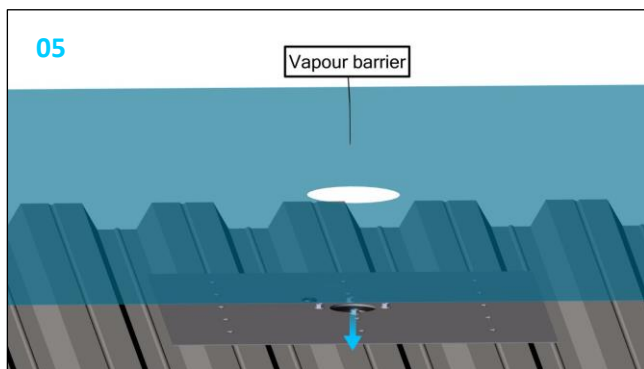
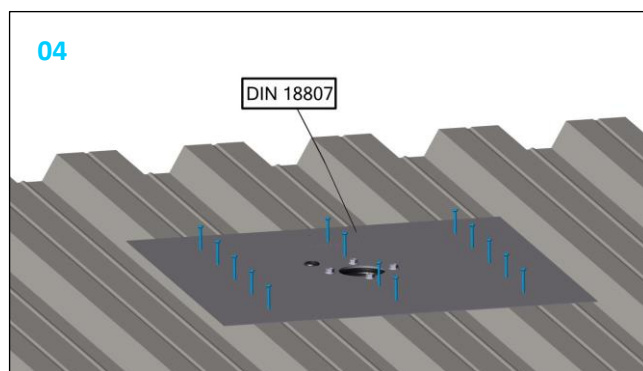
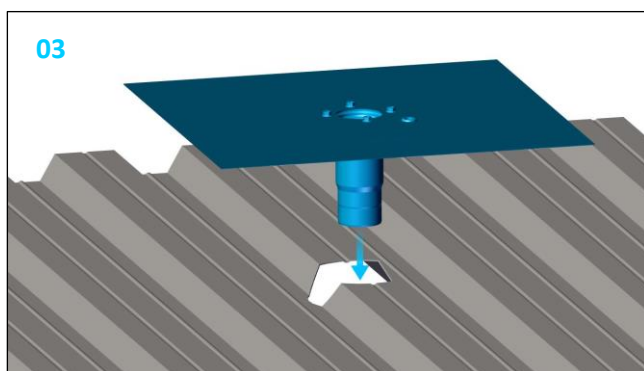
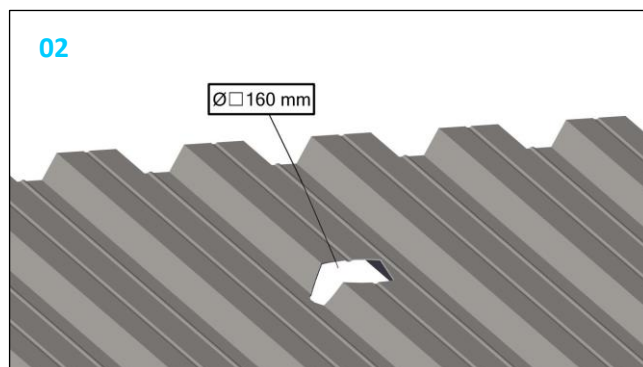
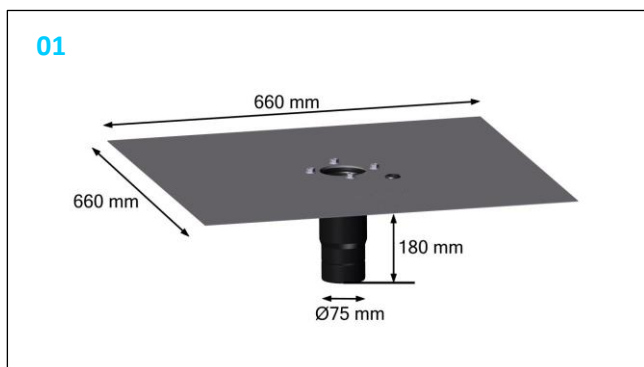


# Reinforcement plate $\varnothing 75\text{mm}$

## 747711



24/01/269 / 7400171