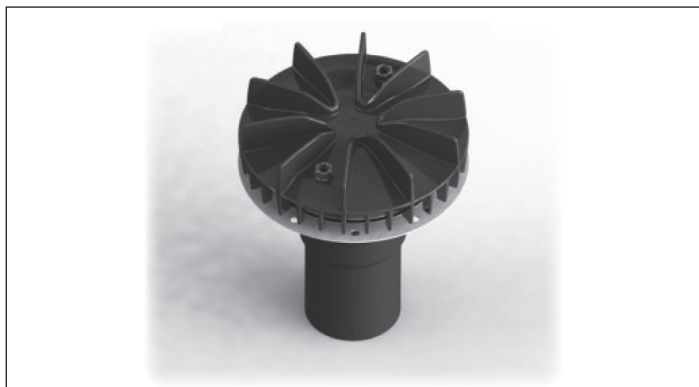
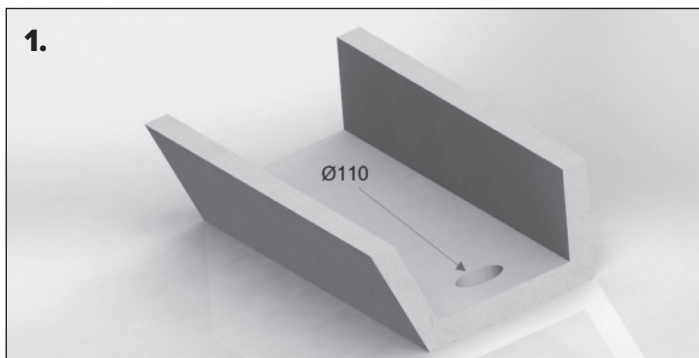


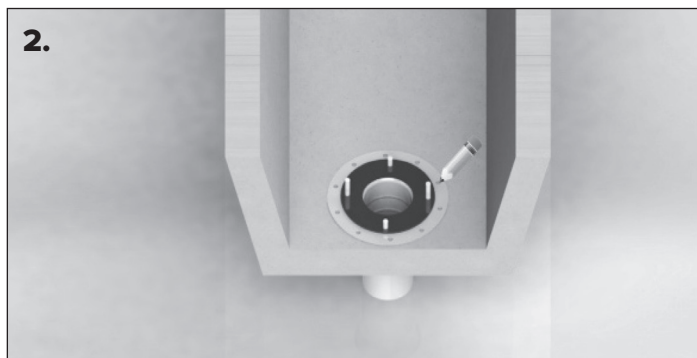
AKASISON GUTTER OUTLET L/XL75 FOR CONCRETE GUTTER WITH COVERING



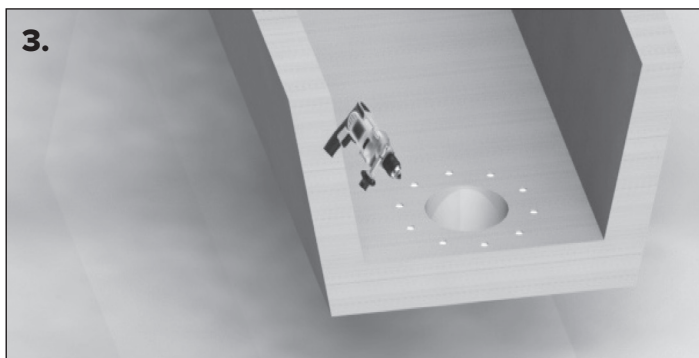
Akasison gutter outlet XL 75



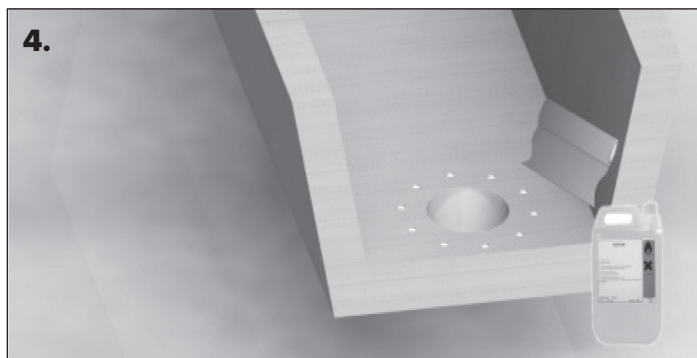
1. Drill hole of $\varnothing 110$ in the metal gutter.



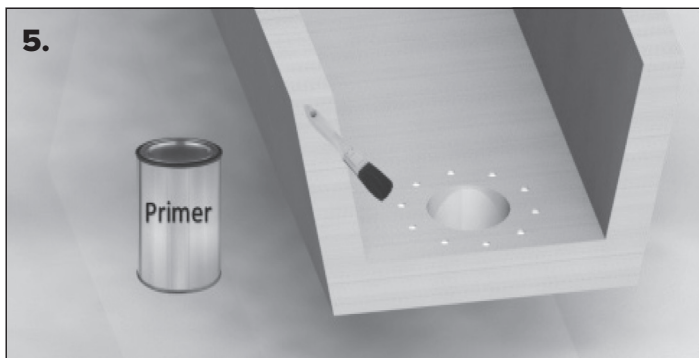
2. Insert outlet and mark area covered by outlet and holes for knock in plugs.



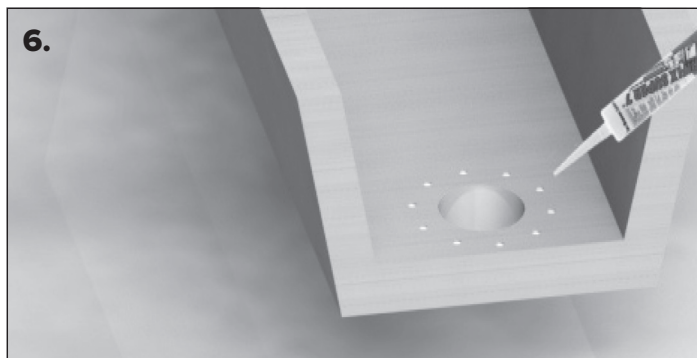
3. Drill hole for knock in plugs $\varnothing 10$ mm, 45mm deep.



4. Clean and degrease area of outlet. Use for example acetone.

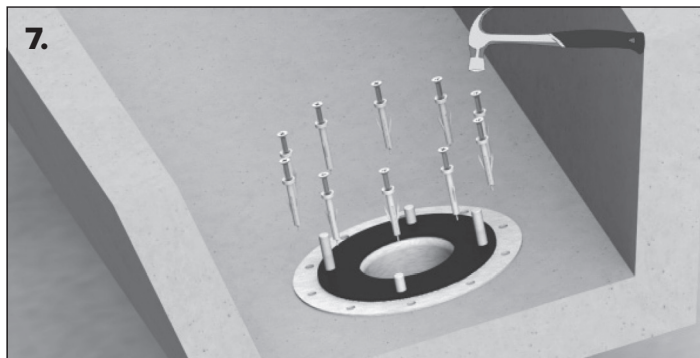


5. Apply primer on concrete gutter on area covered by outlet.

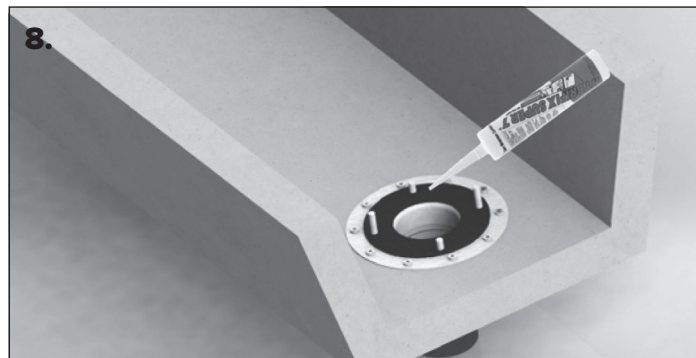


6. Apply kit to make the connection of the gutter and the outlet leak-tight.

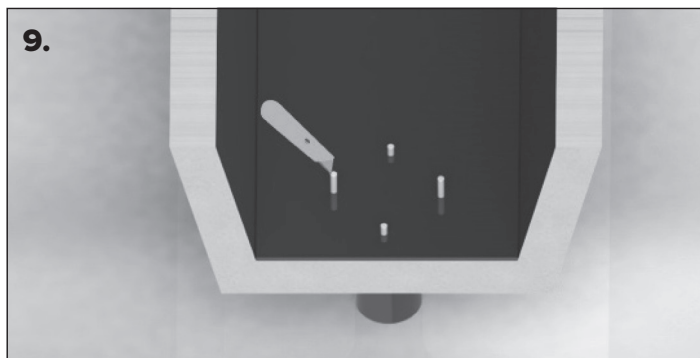
AKASISON GUTTER OUTLET L/XL75 FOR CONCRETE GUTTER WITH COVERING



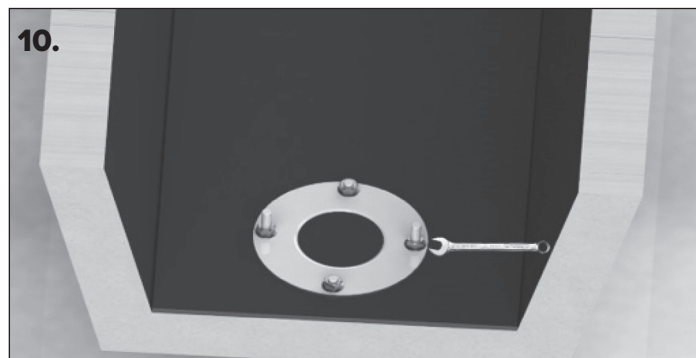
7. Gutter and the outlet leak-tight.



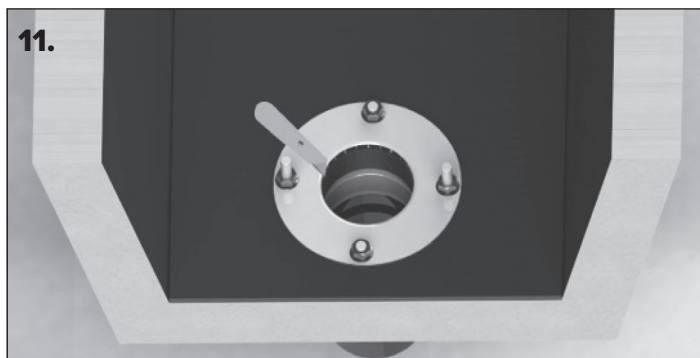
8. Seal the gutter around the outlet and the screws.



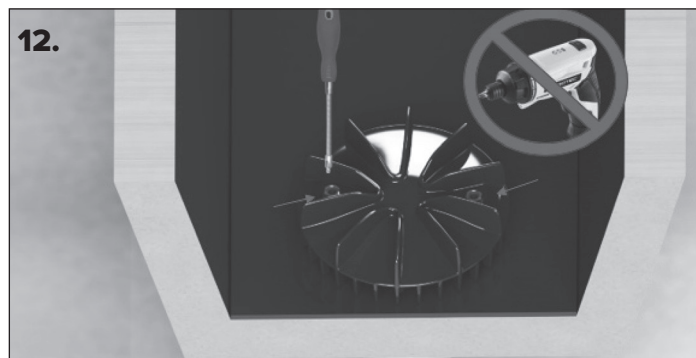
9. Provide covering with holes for studs and guide covering over studs.



10. Mount clamp flange with nuts provided.



11. Remove the covering from the inlet of the gutter outlet.



12. Mount air baffle with nuts provided. Do not use an electric screwdriver.