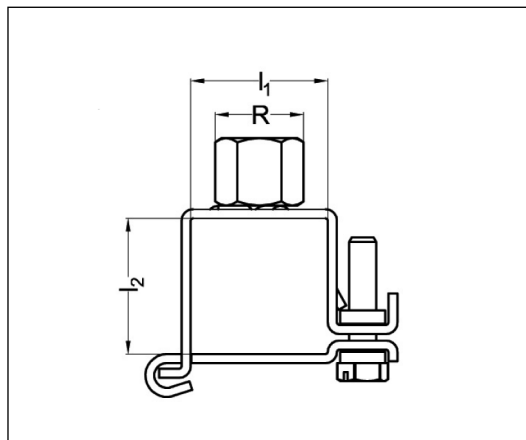


AKASISON RAIL SUSPENSION

ARTICLE NUMBERS: 70 00 25 (30x30 mm)
70 00 27 (41x41 mm)



Hook and close part: Steel 4.6 DD12 (EN10111)
Zink 13 um
No CE marking applies to a fixing system*

Art. Nr.	l_1 (mm)	l_2 (mm)	R	Weight (kg)	FN_z (N)
70 00 25	30	30	M10	0,11	1500
70 00 27	41	41	M10	0,18	2000

* Brackets and fixing systems for plastic pipe system are not covered by harmonised European Standards