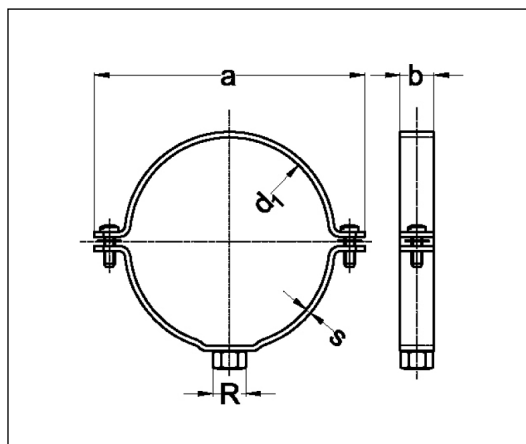


# GUIDE- AND ANCHOR BRACKETS FOR AKATHERM HDPE 40-315 MM

ARTICLE NUMBERS: 70 XX 10 (M10)  
 70 XX 78 (1/2")  
 70 XX 80 (1")



Two screw bracket: Steel  
 Guide and anchor bracket: Galvanised (electrolytic)  
 Anti-loss ring: No CE marking applies to PE brackets\*

d <sub>1</sub> (mm)	Art. Nr.	a (mm)	B (mm)	S (mm)	R	Weight (kg)	FA** (N)
40	70 04 10	93	30	3	M10	0,16	3180
50	70 05 10	104	30	3	M10	0,17	3180
56	70 56 10	113	30	3	M10	0,19	3180
63	70 06 10	113	30	3	M10	0,21	3180
75	70 07 10	126	30	3	M10	0,24	3180
90	70 09 10	143	30	3	M10	0,28	3180
110	70 11 10	161	30	3	M10	0,33	3180
125	70 12 10	178	30	3	M10	0,33	3180
160	70 16 10	215	30	3	M10	0,40	3180

d <sub>1</sub> (mm)	Art. Nr.	a (mm)	B (mm)	S (mm)	R	Weight (kg)	FA** (N)
40	70 04 78	93	30	3	1/2"	0,18	3180
50	70 05 78	104	30	3	1/2"	0,20	3180
56	70 56 78	113	30	3	1/2"	0,21	3180
63	70 06 78	113	30	3	1/2"	0,23	3180
75	70 07 78	126	30	3	1/2"	0,26	3180
90	70 09 78	143	30	3	1/2"	0,33	3180
110	70 11 78	161	30	3	1/2"	0,32	3180
125	70 12 78	178	30	3	1/2"	0,36	3180
160	70 16 78	215	30	3	1/2"	0,44	3180
200	70 20 80	283	40	4	1"	1,04	5450
250	70 25 80	333	40	4	1"	1,21	5450
315	70 31 80	398	40	4	1"	1,47	5450

\* Brackets and fixing systems for plastic pipe system are not covered by harmonised European Standards

\*\* Maximum vertical load on bracket

Screw thread specification:

M10 Class 6H according to NEN-ISO-4759-1:2001

1/2" and 1" NEN-ISO 228-1 (unclassified)