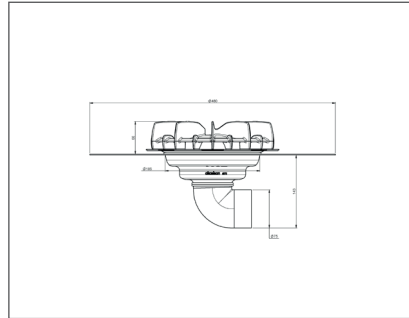
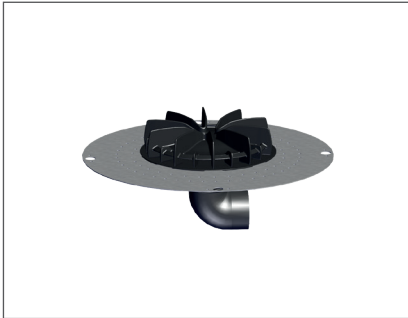


# Akasison metal roof outlet XL75 bitumen horizontal

Code **747382** / **747383**



According to EN 1253

Metal outlet for bitumen roof membranes for Akasison siphonic roof drainage systems.

Delivery includes:	Akasison air baffle with integrated leaf guard (UV-stabilized) ASA Anti punching for protection of bitumen membrane PE connector to pipe system Fireproof lid for protection during application of roofing membrane Heated model includes a self-regulating 230V heating element, cable length 1 m.
Application:	Cold roof/warm roof
Connection pipe system:	Electrofusion coupler Code 410795
Outlet:	d <sub>i</sub> = 75 mm
Performance:	1-17,7 l/s measured according to EN1253 setup
Material:	AISI 304, HDPE, ASA (UV-stabilized)

Capacity according to EN 1253

Code	Type	Description	Weight (kg)
747382	Akasison XL75 Metal	Metal	3,0
747383	Akasison XL75 H Metal	Metal, heated	3,1

Water level	5 mm	15 mm	25 mm	35 mm	45 mm	55 mm	65 mm	75 mm
Capacity [l/s]	0,25	2,00	5,70	11,50	17,40	17,70	17,70	17,70

Quantity per box:	6 piece
Sales unit:	1 piece
Discount group:	AD

Date: 10.2022