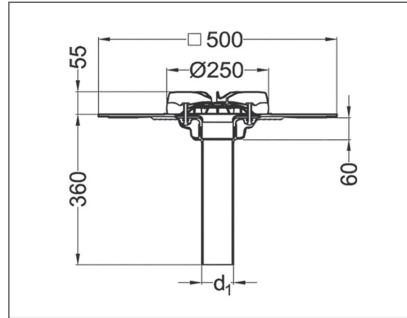


Akasison roof outlet XL75 bitumen

Code **747502 / 747503**



According to EN 1253

Roof outlet for bitumen roof membranes for Akasison siphonic roof drainage systems.

Delivery includes:	Akasison air baffle with integrated leaf guard (UV-stabilized) Prefixed bituminous flange Connector to pipe system Stainless steel clamp ring Fireproof lid for protection during application of roofing membrane Heated model includes a self-regulating 230V heating element, cable length 1 m.
Application:	Cold roof/warm roof
Insulation thickness:	Roof insulation between 60 and 330 mm
Connection pipe system:	Electrofusion coupler Code 410795
Drilling core size:	Ø □ 80 mm 140 mm in combination with mounting sleeve Code 747711 and 747713 160 mm in combination with reinforcement plate with fire protection Code 747722
Performance:	1-17,7 l/s
Material:	Stainless steel, bitumen, HDPE, ASA (UV-stabilized)
Weight:	3,4 kg

Capacity according to EN 1253

Code	Type	Description	Weight (kg)
747502	Akasison XL75 B	Bitumen	3,4
747503	Akasison XL75 HB	Bitumen, heated	3,5

Water level	5 mm	15 mm	25 mm	35 mm	45 mm	55 mm	65 mm	75 mm
Capacity [l/s]	0,25	2,00	5,70	11,50	17,40	17,70	17,70	17,70

Packaging:	1 piece
Discount group:	AD
Date:	07.2021