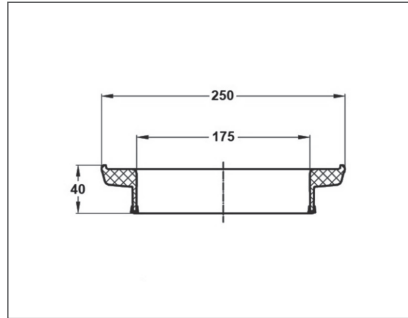


Akasison XL75/XL90 emergency overflow set

Code 747590



According to EN1253

To be used for Akasison siphonic roof drainage systems. Height 40 mm.

Delivery includes:	Emergency overflow flange EPDM seal Air baffle and leaf guard fixation extension (set of 2)
Application:	Emergency overflow system
Performance:	1-17,7 l/s
Material:	Stainless steel, EPDM, ASA (UV-stabilized)
Weight:	0,5 kg

Capacity according to EN 1253

Water level	45 mm	50 mm	55 mm	60 mm	65 mm	75 mm	85 mm	90 mm
Capacity [l/s]	0,25	1,13	2,00	3,85	5,70	11,50	17,40	17,40

Packaging:	1 piece
Discount group:	AD
Date:	07.2021