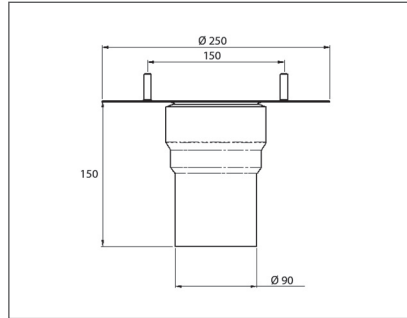


Akasison roof outlet XL90 for metal gutter

Code 749800



According to EN 1253

Roof outlet for gutter for Akasison siphonic roof drainage systems.
With holes for application in metal gutter (clad).

Delivery includes:	Air baffle with integrated leaf guard (UV-stabilized) Connection to HDPE
Application:	Metal gutter
Insulation thickness:	n.a.
Connection to HDPE:	Electrofusion coupler d90 mm Code 410995
Drilling core size:	Ø □ 130 mm
Performance:	1-23,4 l/s
Material:	ASA, stainless steel, PVC, HDPE

Code	Type	Description	Weight (kg)
749800	Akasison XL90 MET	Metal gutter	1,2

Packaging:	1 piece
Discount group:	AD
Date:	09.2021